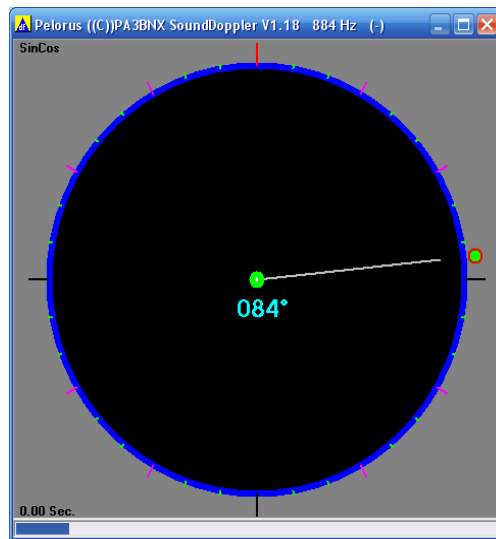
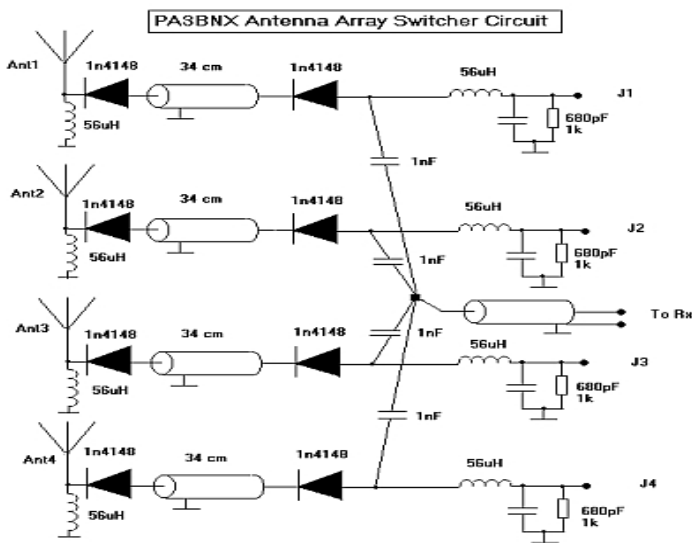
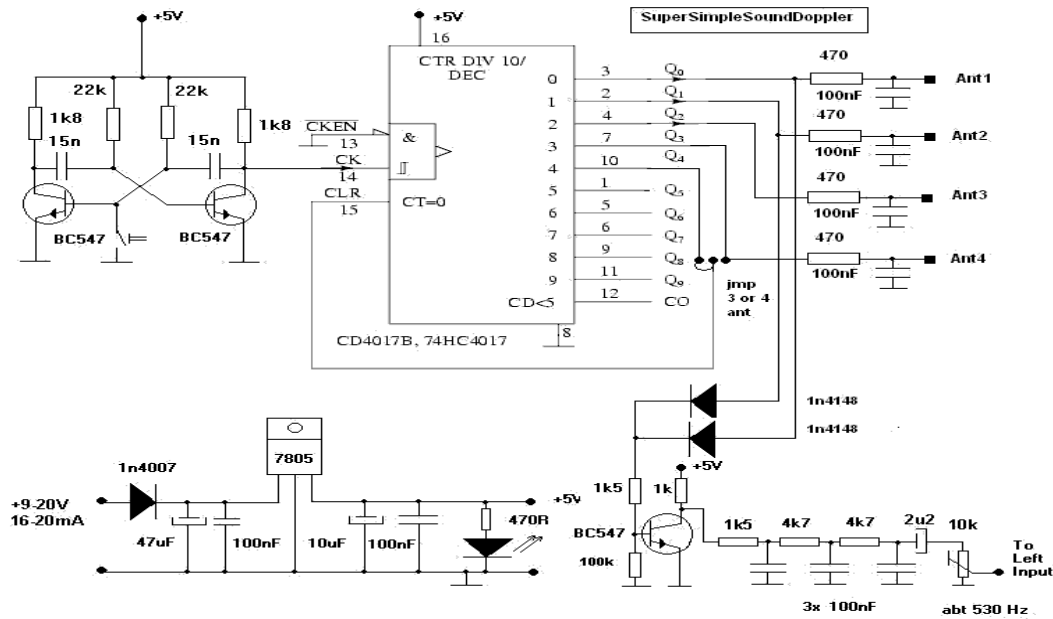


PA3BNX Super Simple Sound Doppler Finder

Homebuild VHF/UHF DSP Direction Finder connected to the soundcard off the PC.



Easy to connect to line input of soundcard from PC.

Receiver is a VHF-FM scanner or VHF-FM portable.

There are print layouts but all can be easily built on matrix PCB.

In existing Doppler Finders it's simple to build an interface for SoundDoppler.exe

Software is free. Download or just visit the club site of [PI4WAG / PA8W](http://www.pi4wag.nl/)

<http://www.pi4wag.nl/index.php/pseudo-doppler-radio-direction-finder>