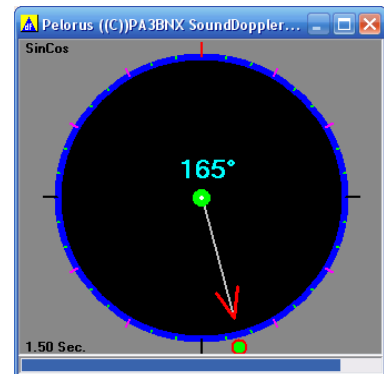
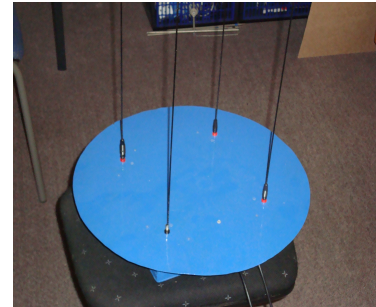
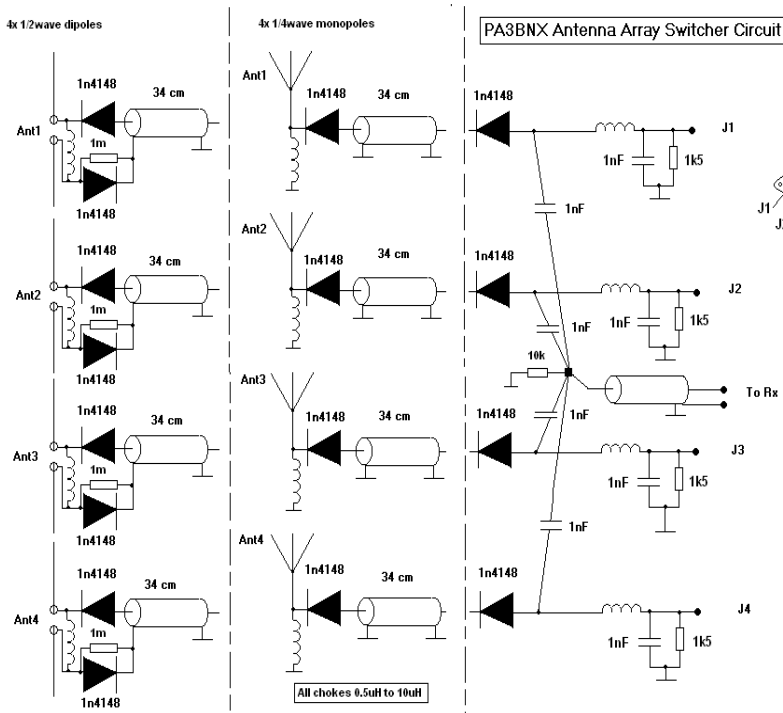
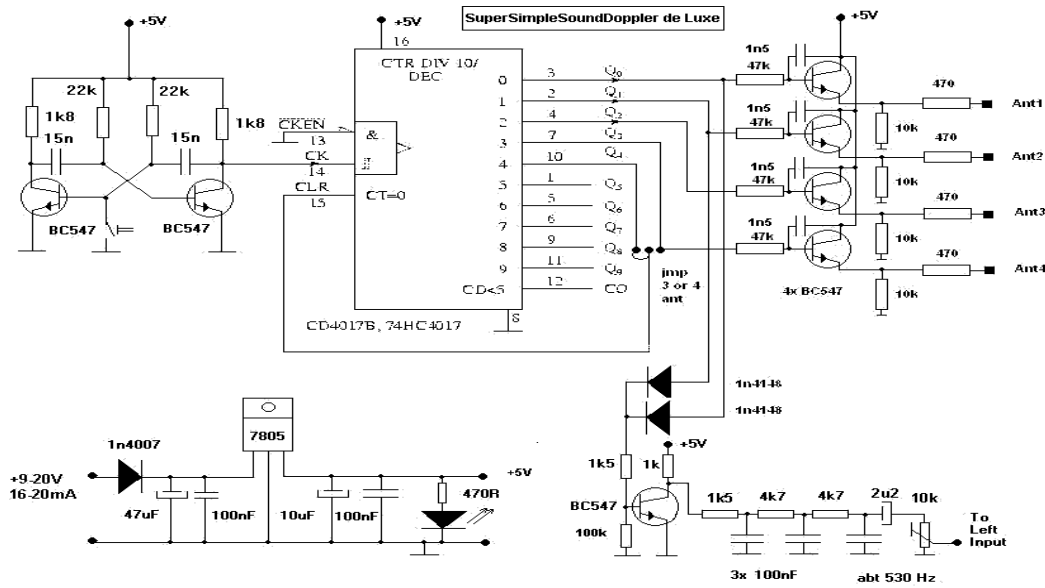


PA3BNX Super Simple Sound Doppler Finder

Homebuild VHF/UHF DSP Direction Finder connected to the soundcard off the PC.



Easy to connect to line input of soundcard from PC.
 Receiver is a VHF-FM scanner or VHF-FM portofoon.
 There are printlayouts but all can easy build on matrix PCB.
 In existing Doppler Finders it's simple to build an interface for SoundDoppler.exe
 SoundDoppler is fully APRS compatible and works with APRSIS32 from KJ4ERJ

Software is free. Download or just visit the club site of **PI4WAG**
<http://www.pi4wag.nl/index.php/pseudo-doppler-radio-direction-finder>
<http://members.chello.nl/~w.hofman/pa8w/sssd.htm>